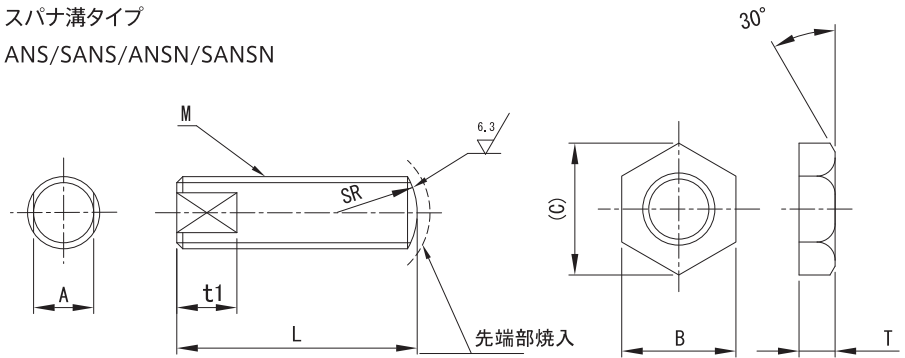


■スパナ溝タイプ



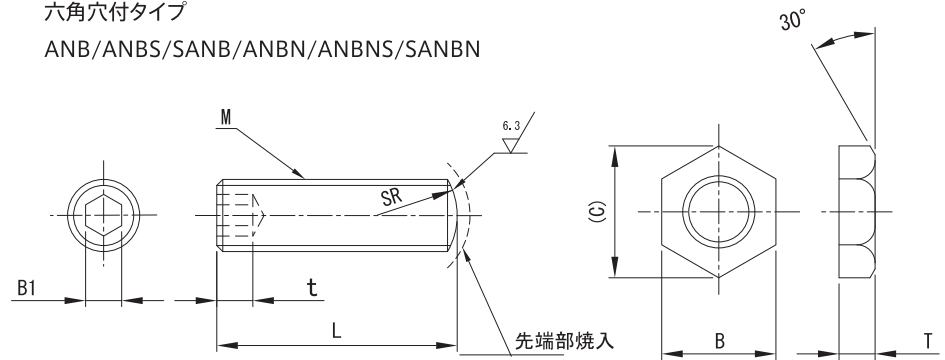
スパナ溝タイプ
ANS/SANS/ANSN/SANSN



■六角穴付タイプ



六角穴付タイプ
ANB/ANBS/SANB/ANBN/ANBNS/SANBN



■ねじ寸法

| M×pitch (細目) | M×pitch (並目) |
|-----------------|-----------------|
| 3×0.35 | 3×0.5 |
| 4×0.5 | 4×0.7 |
| 5×0.5 | 5×0.8 |
| 6×0.75 | 6×1.0 |
| 8×0.75 | 8×1.25 |
| 10×1.0 | 10×1.5 |
| 12×1.0 | 12×1.75 |
| 16×1.5 | 16×2.0 |
| 20×1.5 | 20×2.5 |

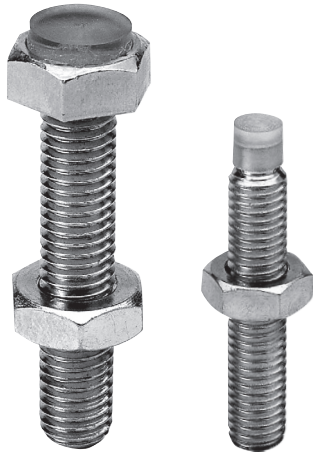
| 調整ねじ | スパナ溝タイプ | 六角穴付タイプ | 材質 | 硬度 | 表面処理 | 付属ナット(ナット1個) | |
|------|---------|---------|----------|----------|---------|--------------|---------|
| | | | | | | 材質 | 表面処理 |
| 細目 | ANS | ANB | S45C | HRC45~50 | 三価クロメート | SS400 | 三価クロメート |
| | — | ANBS | SUS304 | — | — | SUS304 | — |
| | SANS | SANB | SUS420J2 | HRC45~50 | — | — | — |
| 並目 | ANSN | ANBN | S45C | HRC45~50 | 三価クロメート | SS400 | 三価クロメート |
| | — | ANBNS | SUS304 | — | — | SUS304 | — |
| | SANSN | SANBN | SUS420J2 | HRC45~50 | — | — | — |

■付属品・ナット寸法

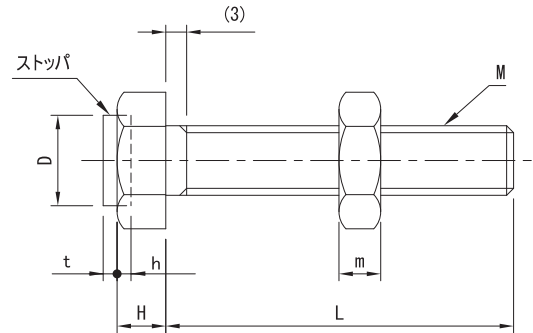
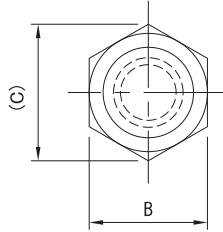
| M | B | (C) | T |
|----|-----|------|-----|
| 3 | 5.5 | 6.4 | 2.4 |
| 4 | 7 | 8.1 | 4 |
| 5 | 8 | 9.2 | |
| 6 | 10 | 11.5 | 6 |
| 8 | 13 | 15 | |
| 10 | 17 | 19.6 | 8 |
| 12 | 19 | 21.9 | |
| 16 | 24 | 27.7 | 10 |
| 20 | 30 | 34.6 | |

| Catalog No. | | L | | | | | | | | A | t1 | B1 | t | SR | | | | | | |
|-------------|-------------|-------|----|------|----|----|----|----|----|----|-----|----|-----|-----|-----|-----|----|----|----|----|
| Type | M | 3 | 4 | 5 | 6 | 8 | 10 | 12 | 16 | 20 | | | | | | | | | | |
| スパナ溝 タイプ | 六角穴付 タイプ | 3 | 15 | 20 | 25 | 30 | 35 | 40 | | | 2.5 | | 1.5 | 1.5 | 3 | | | | | |
| | | 4 | 15 | 20 | 25 | 30 | 35 | 40 | 45 | 50 | 60 | 3 | 4 | 2 | 2.2 | 4 | | | | |
| | ANS | ANB | 5 | 15 | 20 | 25 | 30 | 35 | 40 | 45 | 50 | 60 | 4 | | 2.5 | 2.8 | 5 | | | |
| | | ANBS | 6 | (15) | 20 | 25 | 30 | 35 | 40 | 45 | 50 | 60 | 5 | 5 | 3 | 3 | 6 | | | |
| | SANS | SANB | 8 | (20) | 25 | 30 | 35 | 40 | 45 | 50 | 60 | 6 | 6 | 4 | 4 | 8 | | | | |
| | | SANBN | 10 | | | 30 | 35 | 40 | 45 | 50 | 60 | 70 | 8 | 8 | 5 | 5 | 10 | | | |
| | ANSN | ANBN | 12 | | | | 35 | 40 | 45 | 50 | 60 | 70 | 80 | 10 | 10 | 6 | 6 | 12 | | |
| | | ANBNS | 16 | | | | | 40 | 45 | 50 | 60 | 70 | 80 | 100 | 14 | 14 | 8 | 7 | 16 | |
| | SANSN | SANBN | 20 | | | | | | 45 | 50 | 60 | 70 | 80 | 100 | 120 | 17 | 17 | 10 | 8 | 20 |

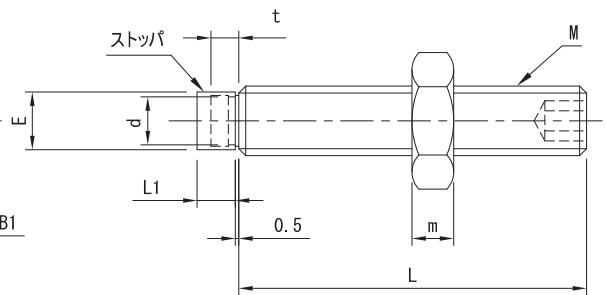
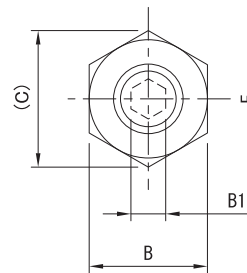
*ステンレスの焼入タイプ(SUS420J2)は焼入により変色する場合があります。()印のサイズは、スパナ溝タイプには適用されません。



UST



USS



| Type | ボルト | | ストップ | | ナット (JIS3種) | |
|------|-------|---------|--------|--------|-------------|---------|
| | 材質 | 表面処理 | 材質 | 硬度 | 材質 | 表面処理 |
| UST | SS400 | ニッケルメッキ | ポリウレタン | ショアA90 | SS400 | 三価クロメート |
| USS | | | | | | |

| Catalog No. | | L | | | | | | | D | B | (C) | H | h | t | m | |
|-------------|--------|----|----|----|----|----|----|-----|------|------|------|-----|------|------|------|------|
| Type | M (並目) | 15 | 20 | 25 | 30 | 35 | 40 | 50 | 6.0 | 7.0 | 8.1 | 9.2 | 10.0 | 11.5 | 13.0 | 15.0 |
| UST | 4 | 15 | 20 | 25 | 30 | 35 | 40 | 5.0 | 7.0 | 8.1 | 2.8 | 1.5 | 1.5 | 2.4 | | |
| | 5 | 15 | 20 | 25 | 30 | 35 | 40 | 6.0 | 8.0 | 9.2 | 3.5 | | | 3.2 | | |
| | 6 | 20 | 25 | 30 | 35 | 40 | 45 | 50 | 8.0 | 10.0 | 11.5 | 4.0 | 3.6 | | | |
| | 8 | 20 | 25 | 30 | 35 | 40 | 45 | 50 | 10.0 | 13.0 | 15.0 | 5.5 | 2.0 | 2.0 | 5.0 | |
| | 10 | 20 | 25 | 30 | 35 | 40 | 45 | 50 | 13.0 | 17.0 | 19.6 | 7.0 | | | 6.0 | |

| Catalog No. | | L | | | | | | | L1 | d | E | t | B | B1 | (C) | m |
|-------------|--------|----|----|----|----|----|----|-----|-----|-----|-----|-----|------|------|-----|-----|
| Type | M (並目) | 10 | 15 | 20 | 25 | 30 | 35 | 40 | 4.5 | 1.6 | 3.1 | 3 | 7 | 2.0 | 8.1 | 2.4 |
| USS | 5 | 10 | 15 | 20 | 25 | 30 | 35 | 40 | 4.5 | 2.2 | 4.0 | | 8 | 2.5 | 9.2 | 3.2 |
| | 6 | 15 | 20 | 25 | 30 | 35 | 40 | 50 | | 2.6 | 4.8 | 10 | 3.0 | 11.5 | 3.6 | |
| | 8 | 25 | 30 | 35 | 40 | 45 | 50 | 5.5 | 5.1 | 6.5 | 13 | 4.0 | 15.0 | 5.0 | | |
| | 10 | 30 | 35 | 40 | 45 | 50 | 60 | | 6.9 | 8.3 | 17 | 5.0 | 19.6 | 6.0 | | |